

Fast Ethernet Switches

affordably boost the performance of your network



10/100 Mbps Fast Ethernet Switches

FS516 FS524

NETGEAR's Fast Ethernet switches provide a cost-effective way to instantaneously increase network performance while preserving most of your network investment, including installed cabling and end users' software and hardware. These switches are ideal for intermixing 10 and 100 Mbps devices. They provide you with automatic speed and full/half-duplex sensing per port. Running in full-duplex mode, each port delivers 200 Mbps of network speed. Easy to set up and use, these 500-series switches are ideal for speedily delivering large amounts of multimedia, image, and video information.

ACCESSIBLE

Switched 10/100 Mbps ports provide private 10 or 100 Mbps bandwidth for PCs, servers, or hubs—no need to share and compete with other users for bandwidth.

EFFECTIVE

Each port supports up to 200 Mbps of throughput.

INTUITIVE

These switches begin operating as soon as they are powered on. Every port automatically senses the proper speed and full/half duplex mode, taking the burden of configuration off the user.

EXPLICIT

LEDs are integrated with the network ports which simplifies installation and makes network monitoring very easy.

CONVENIENT

Built into sturdy, 13-inch metal cases, these units can be mounted in a standard 19-inch rack.



Help is there when you need it!

NETGEAR provides 24x7

telephone and e-mail technical

support in English, with selected

local language support during

office hours.

www.NETGEAR.com

NETGEAR™

NETGEAR Inc.
4500 Great America Parkway
Santa Clara, CA 95054
USA

Phone: 1-888-NETGEAR
E-mail: info@NETGEAR.com
www.NETGEAR.com

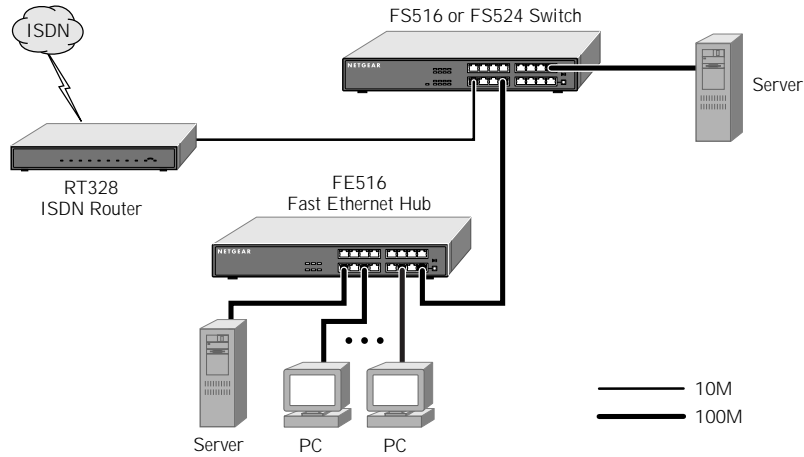
In-Country Phone Support*

(24x7 phone support in English, local language support during office hours.)

Australia	1800-787-638	Korea	00308-11-0319
Austria	00800-06384327 (00800-0-NETGEAR)	Netherlands	0800-023-0981
Denmark	808-82179	New Zealand	00800-1233-4566
Canada	1-888-NETGEAR	Norway	800-12041
Finland	0800-111-036	Singapore	001-800-1233-4566
France	0800-77-17-53	Sweden	0200-298-298
Germany	00800-06384327 (00800-0-NETGEAR)	Switzerland	00800-0638-4327 (00800-0-NETGEAR)
Hong Kong	001-800-1233-4566	United Kingdom	020-7216-0014
Japan	0120-66-5402	United States	1-888-NETGEAR
		All Other Countries	+1 801-236-8499

NETGEAR® , the Netgear logo, Everybody's connecting, The Gear Guy and Auto Uplink are trademarks or registered trademarks of Netgear, Inc. in the United States and/or other countries. Other brand and product names are trademarks or registered trademarks of their respective holders. Information is subject to change without notice. All rights reserved.

*Free basic installation support provided for 90 days from date of purchase; optional premium support available.
April 2003



TECHNICAL SPECIFICATIONS

FS516	FS524
Network Ports 16 10 or 100 Mbps RJ-45 ports	24 10 or 100 Mbps RJ-45 ports
Performance (64-byte packets) Store-and-forward packet switching Forward rate (10 Mbps) 14,800 packet per sec. Forward rate (100 Mbps) 148,000 packet per sec. Latency (100 to 100 Mbps) <80µs MAC addresses 4,000 Queue buffer per port 64 KBytes	14,800 packet per sec. 148,000 packet per sec. <80µs 8,000 512 KBytes
Weight 2.5 kg (5.5 lb)	2.6 kg (5.7 lb)
Dimensions W 330 mm (13") D 202 mm (8") H 43 mm (1.7")	
AC Power 30W maximum Auto-sensing 100 to 240V, 50/60 Hz Localized plug for North America, Japan, UK, Europe, Australia	

Standards Compliance

IEEE 802.3i 10BASE-T Ethernet
IEEE 802.3u 100BASE-TX Fast Ethernet
Compatible with all major network software

Status LEDs

Unit: power
Per network port: 10 or 100 Mbps operations,
Rx/Tx and collision, link, half/full duplex

Electromagnetic Emissions

CE mark, commercial
FCC Part 15 Class A
EN 55 022 (CISPR 22), Class A
VCCI Class A

Environmental Specifications

Operating temperature: 0 to 40° C (32 to 104° F)
Operating humidity: 80% max. relative humidity,
noncondensing

Safety Agency Approvals

UL listed (UL 1950)/CUL
TUV licensed (EN 60 950)

Warranty

Switch - 5 years
Power supply - 2 years

PACKAGE CONTENTS

- Switch unit
- Power cord
- Rack-mount kit
- User's guide
- Warranty card
- Support information card



www.NETGEAR.com

NETGEAR™